

9.6 Dust-proof Type



• Features:

The dust-proof ballscrew is designed to prevent particles or debris into the ballnut, especially for special operation condition such as saw dust, iron filings, etc.

• Dust-proof specification:

4R25-25K2-FSCSH-1835-1959-0.023



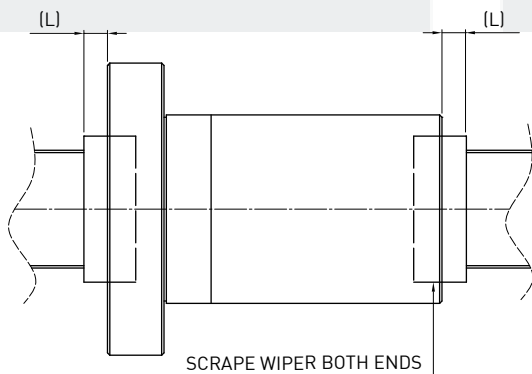
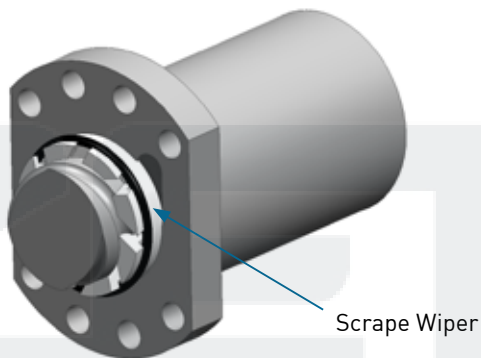
HIWIN Dust-Proof Code (SS, SH, NW)

• Dust-proof Type

1. SS (Scrape Wiper)

Protruding from the end surface of a ball nut, flexible finger parts are pressed by a spring to eliminate the gap, fit the shaft surface perfectly, and such that improve the dustproof ability dramatically.

The slit between the fingers can remove the particles scraped from the shaft surface. Available size for SS type ballscrew is shown in the table.

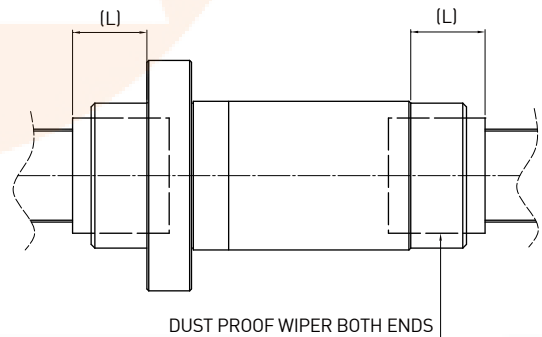
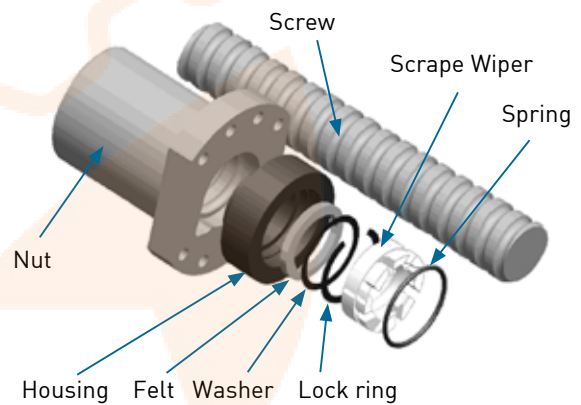


Nominal diameter	Lead	L Max.
25	-	5
32	-	5
36	< 10	5
	≥ 10	6
40	< 10	5
	≥ 10	6
45	< 10	5
	≥ 10	6
50	< 10	5
	≥ 10	6

Unit:mm

2. SH (Felt + Scrape Wiper)

Finger wiper and high dense felt prevents powdery dust and improve dustproof effect.

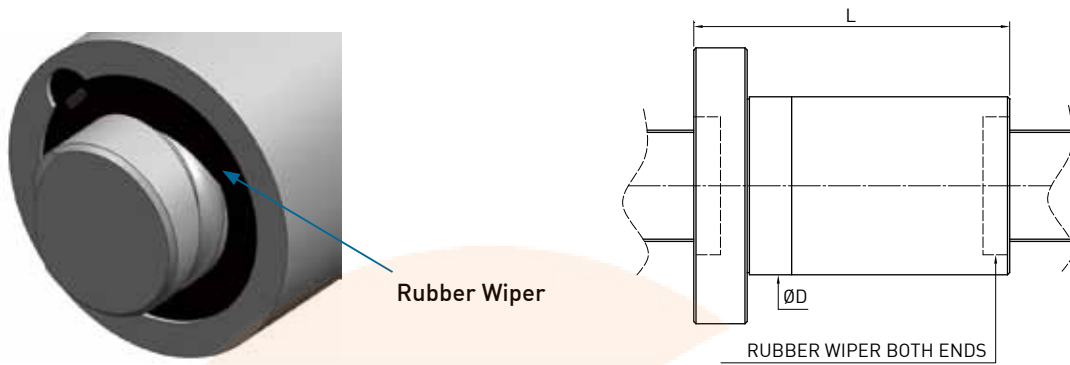


Nominal diameter	Lead	L Max.
25	-	20
32	< 10	20
	≥ 10	25
36	< 10	20
	≥ 10	25
40	< 10	20
	≥ 10	30
45	< 10	20
	≥ 10	30
50	< 10	20
	≥ 10	30

Unit:mm

3. NW(Rubber Wiper)

The rubber wiper is designed for standard DIN Nut of Roller ballscrew , The specifications developed are as follows :



Model	Specification		Dynamic Load C(kgf)	Static Load Co(kgf)	ØD	L	Model	Specification		Dynamic Load C(kgf)	Static Load Co(kgf)	ØD	L
	Nominal Dia.	Lead						Nominal Dia.	Lead				
2R15-10K3	15	10	810	1670	28	45	R38-10K4	38	10	4550	12410	63	70
2R15-10K3			860	1740	34	44	2R38-20K4		20	4490	12290		108
4R15-16K3		16	810	1730	28	61	4R38-40K2		40	2330	5910		103
4R15-20K2		20	570	1130	34	50	R40-5K5		5	2200	8320		63
R16-5T3	16	5	664	1195	28	40	R40-10T3	40	10	2651	6366	63	74
R16-10T3		10	623	1102		60	4R40-40K2		40	2390	6260		70
R20-5K4	20	5	1340	3270	36	40	R48-10K6	48	10	7330	24280	75	90
R20-10K3		10	990	2260		47	2R48-20K5		20	6180	19970		132
4R20-20K2		20	690	1550		56	R50-5K5		5	2410	10520		70
R25-5K5	25	5	1820	5240	40	48	R50-10T4	50	10	3899	11112	75	89
R25-10T3		10	851	1986		65	2R50-20T3		20	2684	7198		137
R25-10T3			1430	2913		65	2R50-40K3		40	3950	12370		149
4R25-25K2		25	760	1950		69	R63-10T6		63	10	6192		21409
R32-5K4	32	5	1660	5370	48	38							
R32-10K5		10	2700	8170	50	73							
R32-10T4			2899	6404		85							
2R32-20K3		20	1710	4890	87								
4R32-32K2		32	1150	3170	87								

