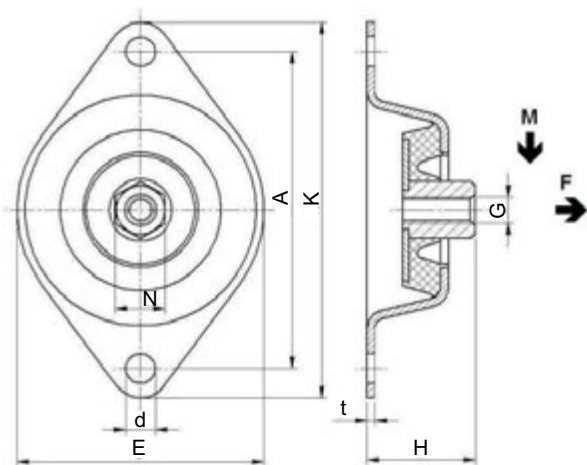
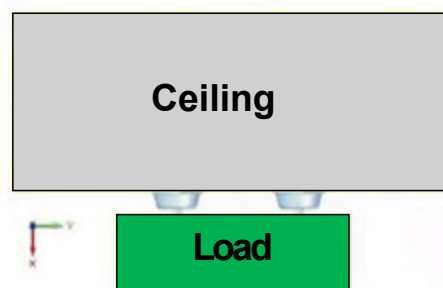
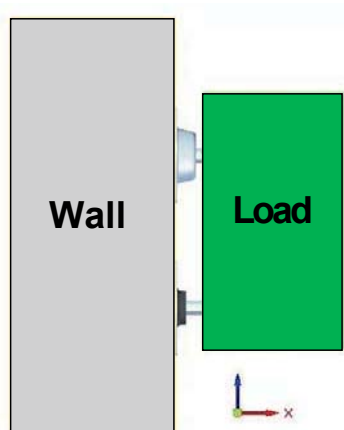
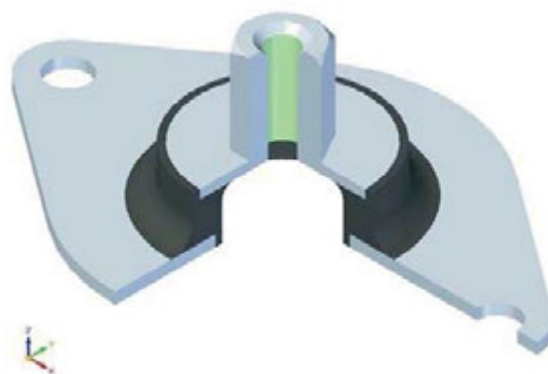
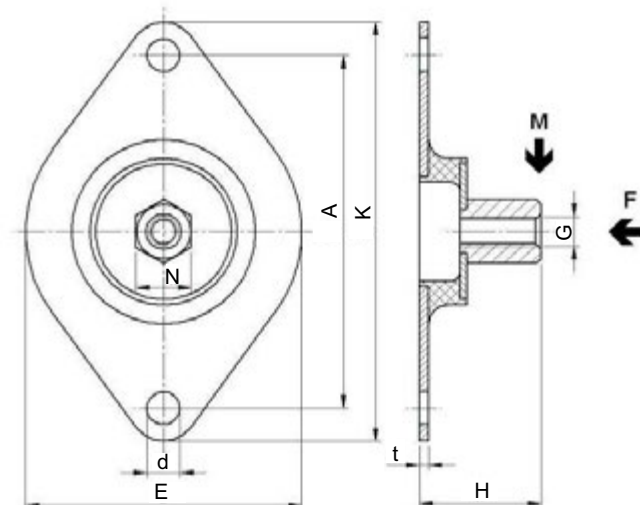


# Rubber-metal vibration dampers of NG series

Type: NG-1 (for expansion)



Type: NG-2 (for compression)



Type	E	K	A	H	d	N	t	G	M <sub>max</sub> (transverse load), kg	F <sub>max</sub> (axial load), kg
NG-1	75	114	96	33	9	15	1,5	M8	25	70
NG-2	75	114	96	33	9	15	1,5	M8	25	70

Hardness by Shore - 55