

TH9

series



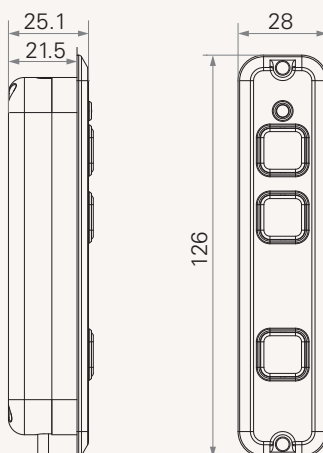
Product Segments

- **Comfort Motion**

Connected actuators	1
Maximum available buttons	3
Color	black or grey
Embedded design	

Drawing

Standard Dimension



Terms of Use

The user is responsible for determining the suitability of TiMOTION products for a specific application.




Due to continuous development in order to improve our products, TiMOTION products are subject to frequent modifications and changes without prior notice.

TiMOTION reserves the right to discontinue the sale of any products displayed on its website or listed in its catalogue or other written materials drawn up by TiMOTION.

TH9 Ordering Key

TH9

Version: 20130510-B

	Plug	1 = DIN 5pin, for TDC 2 = DIN 8pin, for TC2/TC3/TC7 4 = DIN 8pin,180°, for extension cable	5 = RJ 10pin,180°, for extension cable 6 = RJ 10pin, 90°, for TC1/TC6/TC8/TC9/TC10/TC14 A = Customized
	Color	1 = Black	2 = Grey (Pantone 428C)
	Cable Length	1 = Straight, 1500mm	2 = Straight, 2000mm A = Customized