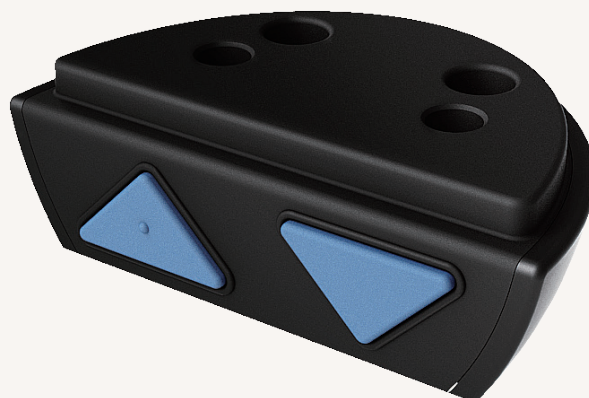


TH37

series



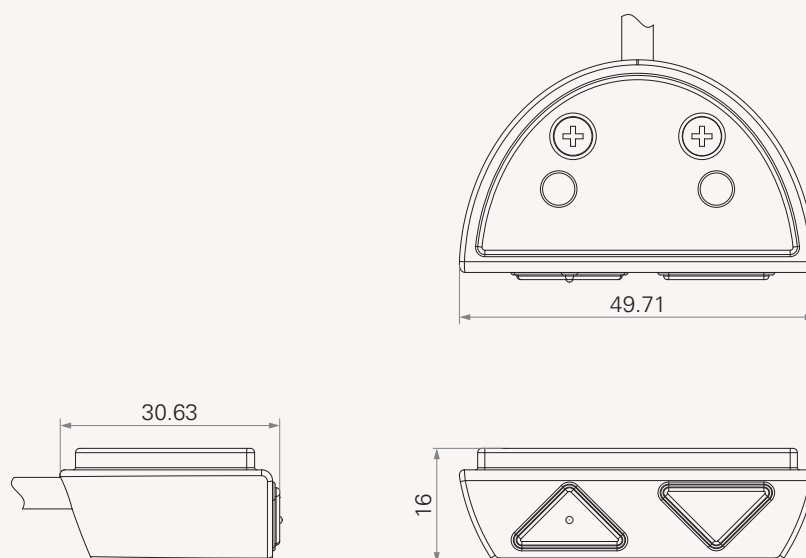
Product Segments

- **Ergo Motion**

Maximum available buttons	2
Color	black or grey
Specific design for desk lifting column	

Drawing

Standard Dimension



Terms of Use

The user is responsible for determining the suitability of TiMOTION products for a specific application.




Due to continuous development in order to improve our products, TiMOTION products are subject to frequent modifications and changes without prior notice.

TiMOTION reserves the right to discontinue the sale of any products displayed on its website or listed in its catalogue or other written materials drawn up by TiMOTION.

TH37 Ordering Key

TH37

Version: 20130705-A

	Plug	2 = DIN 8pin, 90°, for TC2/TC3/TC7 4 = DIN 8pin, 180°, for extension cable 5 = RJ 10pin, 180°, for TC6/TC9/extension cable	6 = RJ 10pin, 180°, for TC11/TC15/TC16, flat A = Customized
	Color	1 = Black	2 = Grey (Pantone 428C)
	Cable Length	1 = Straight, 1000mm	2 = Straight, 1500mm A = Customized